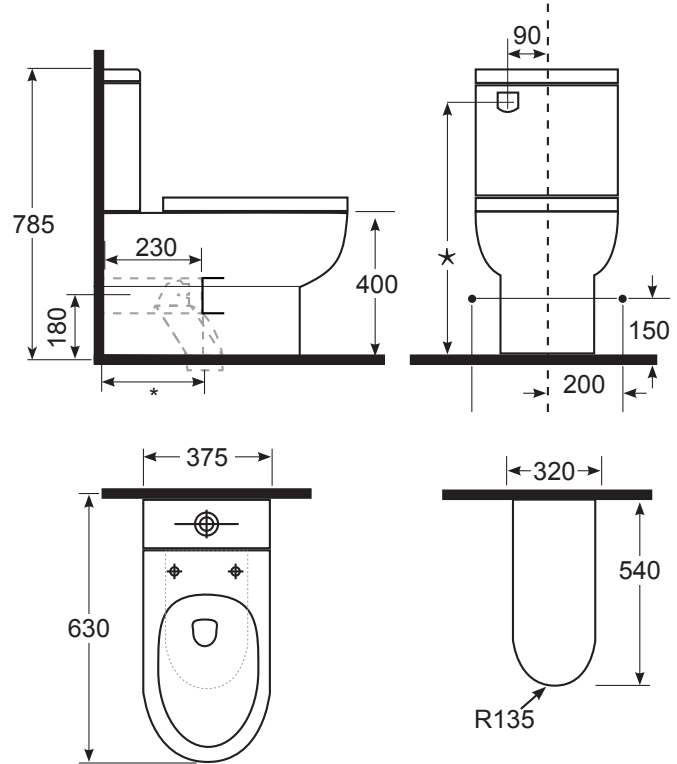




PACE HYGIENICFLUSH BTW TOILET

Product Image **Technical Specification**



★ Rear Entry Height 700-730mm
Recommended 715mm

*'S'-Trap set-out 140mm recommended
variable set-out 100-220mm

Description

Pace HygienicFlush BTW Toilet
with Soft Close Seat
WELS 4 Star / 4.5/3L

807901S4RB S & P Trap | Rear Water Entry
807901S4BB S & P Trap | Bottom Water Entry

Additional Information

- Bottom Water Inlet can be converted to LHS on site
- 5 Year Warranty *Conditions Apply
- Hygienic Flush with Anti-Splash Rimless Technology

